



## **FSUL3520 - Wall Mount and Adapter Plate for Flat Screens up to 200lbs Universal Mounting Pattern**

The FSUL3520 universal wall mount and adapter plate attaches to flat screens up to 200lbs with VESA mounting patterns 800mm x 400mm, 400mm x 200mm, 200mm x 200mm, 200mm x 100mm, 100mm x 100mm and up to 35" wide x 20" tall mounting patterns. The FSUL3520 can be used as a wafer thin profile wall mount when bolted directly to the wall or can be used in conjunction with FS series ceiling, furniture and wall mounts. An optional security screw kit can be purchased separately for increased theft resistance.

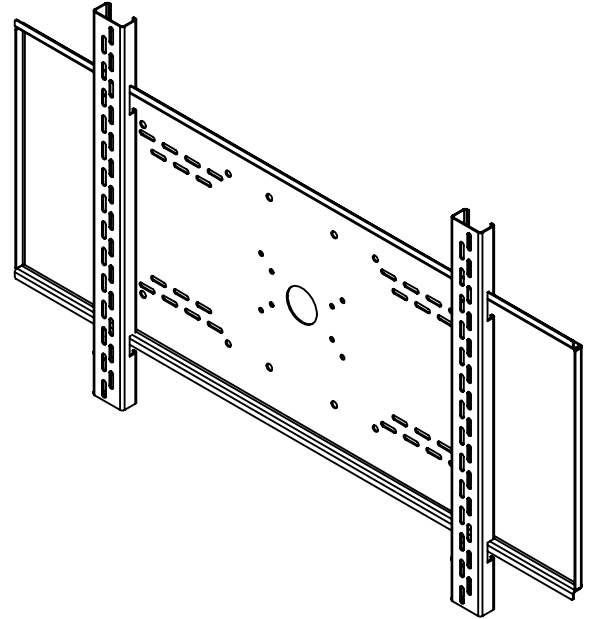
### **Features:**

Available in black and silver finishes

Fits from 40"+ flat screens up to 200lbs.

Universal size fits 35" (889mm) wide x 20" (508mm) tall mounting patterns. Including 800mm x 400mm, 400mm x 200mm, 200mm x 200mm, 200mm x 100mm & 100mm x 100mm VESA compatible monitors

Compatible with: FSW, FSWA, FSWP, FSWT & FSWSL0 Wall Mounts; FSCT & FSCT20 Ceiling Mounts; FSF12 & FSF14 Furniture Mounts; FSPED20 & FSP60T Floor Mounted Pedestals; FSTR & FSTRT Truss or Pole Mounts; FSCR4028 Mobile Equipment Cart



### **Optional Accessories:**

WMATB4 - Metal Stud Toggle Bolt Kit

WMAAB4 - Concrete Anchor Bolt Kit

FSUSKW - Security Screw Kit to Secure Channel to Wall Plate (includes security tool)

### **Maximum Load Limit:**

200lbs (90.9 kg)

### **Product Weight:**

15.3lbs (7.0 kg)

### **Shipping Weight:**

33.5lbs (15.2 kg) (2 per Box)

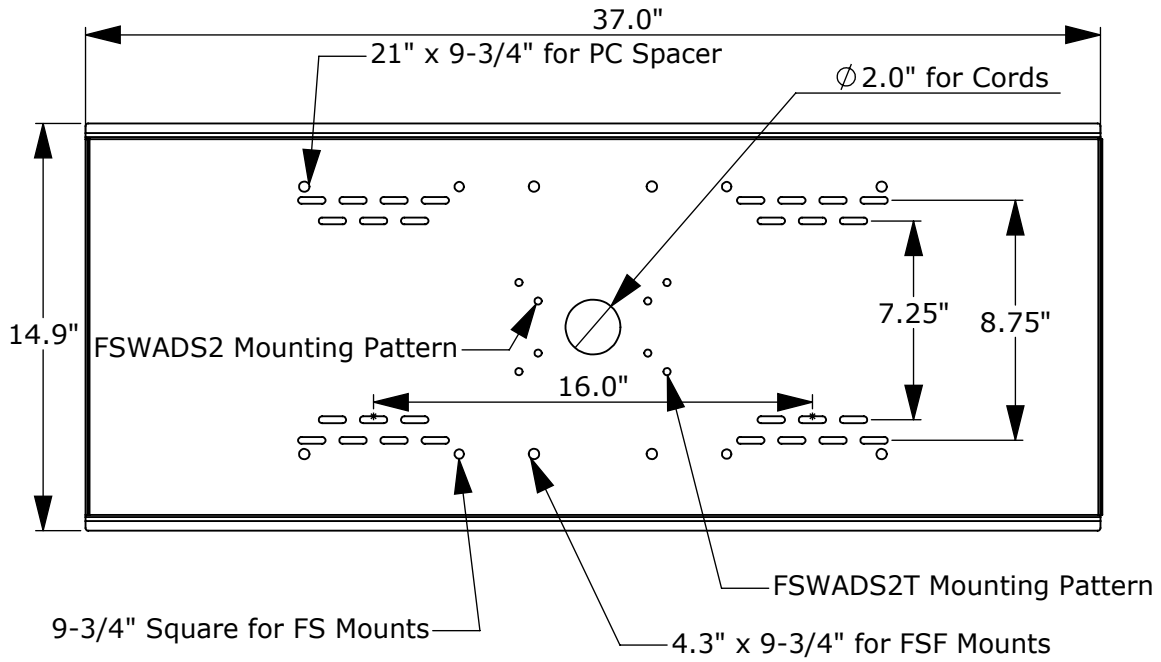
### **Carton Dimensions:**

37-1/2"L x 15-3/4"W x 1-3/4"H

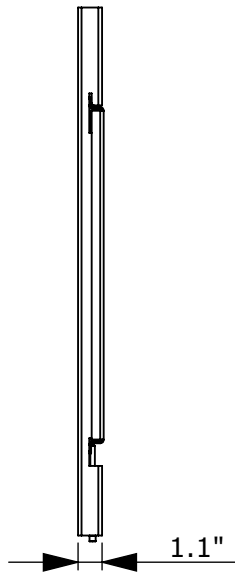
Architectural Specification: The Universal Wall Mount shall be Lucasey model FSUL3520 and shall be located where indicated on the plans. It shall feature monitor attaching channels included compatible with 35" wide by 20" tall or VESA 800mm x 400mm, 400mm x 200mm, 200mm x 200mm, 200mm x 100mm or 100mm x 100mm mounting patterns. Assembly and installation shall be done according to instructions provided by the manufacturer.



**Wall - Adapter Plate**



**Side View**



**Mounting Channel**

