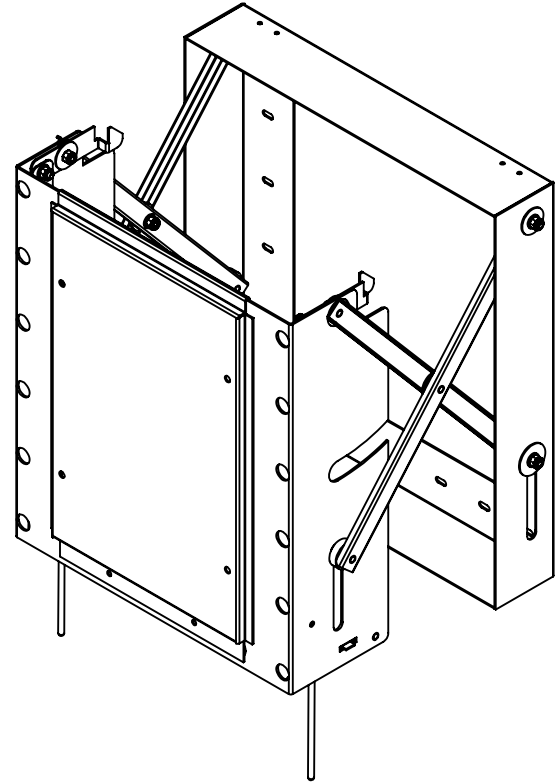




FSWP1820

Pull-out Wall Mount for Flat Screens up to 150lbs

The FSWP1820 pull-out wall mount has scissor action arms that can hold flat screens up to 150 pounds. The mount is ideal for inside the wall applications where the monitor needs to be pulled out for service. The release mechanism allows for use of a very slim release tool and a 1/16" gap around the monitor. Ideal for flat screen monitor wall applications where there needs to be tight clearances between monitors and access for service. An additional FSU adapter plate is required. (sold separately)



Features:

Available in black and silver finishes

Fits 32"+ monitors that weight less than 125lbs
and fits an FSUL adapter universal mounting pattern.

Optional Accessories:

WMATB4 - Metal Stud Toggle Bolt Kit

WMAAB4 - Concrete Anchor Bolt Kit

Maximum Load Limit:

150lbs (68.2 kg)

Product Weight:

20.0lbs (9.1 kg)

Shipping Weight:

22.0lbs (10.0 kg)

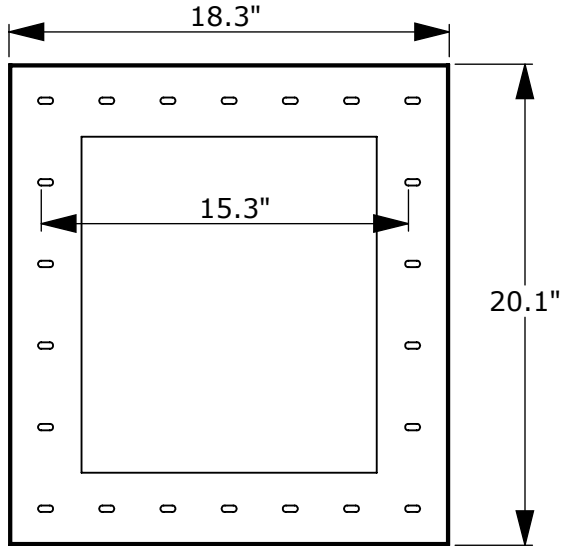
Carton Dimensions:

23"L x 21"W x 6-1/2"H

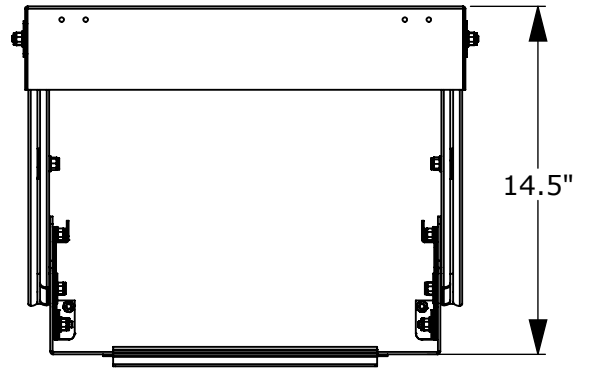
Architectural Specification: The Pull-out Wall Mount shall be Lucasey model FSWP1820 and shall be located where indicated on the plans. The FSWP1820 shall be specified with an adapter plate including monitor attaching channels compatible with the monitors mounting pattern. Assembly and installation shall be done according to instructions provided by the manufacturer.



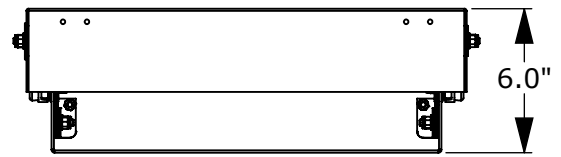
Wall Plate



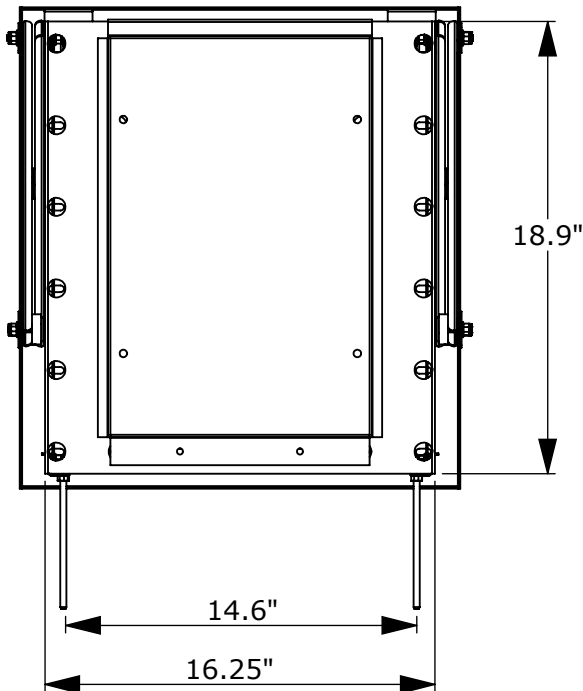
Top View Extended



Top View Retracted



Front View



Side View

