



LCAPDVD2
LCAPDVD3
LCAPDVD4
LCAPDVD1015

Adapter to Hang DVD Players or Other
Equipment Below LC100 & LC200 Mounts

The LCAPDVD adapters fit equipment from 15" - 20" or 10" - 15" Wide & 1-3/4", 3-1/4" or 4" Tall. The four different models are to accommodate different equipment heights & widths. The unique adjustable squeezing mechanism clamps the equipment in place. The neoprene pads keep the equipment from sliding out without first loosening the side arm screws.

Features:

Gloss black finish

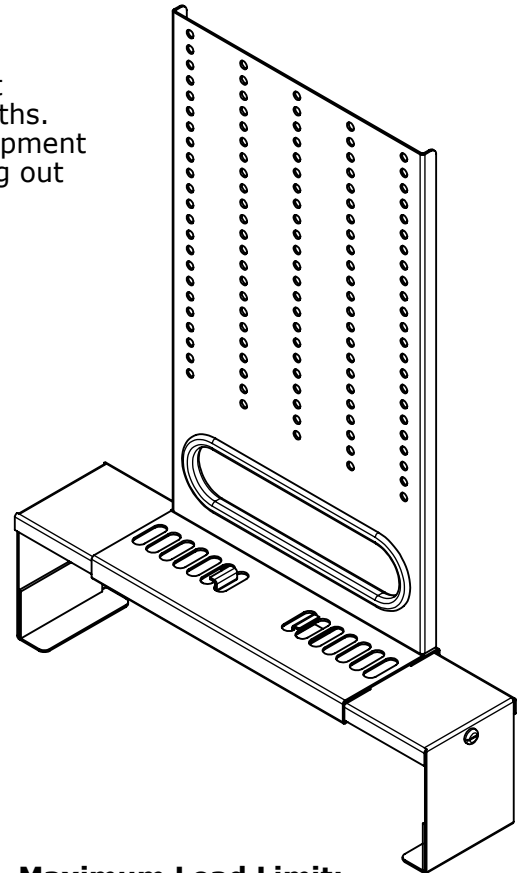
LCAPDVD2 fits equipment up to 1-3/4" tall and 15" to 20" wide

LCAPDVD3 fits equipment up to 3-1/4" tall and 15" to 20" wide

LCAPDVD4 fits equipment up to 4" tall and 15" to 20" wide

LCAPDVD1015 fits equipment up to 1-3/4" tall and 10" to 15" wide

Compatible with LC100 & LC200 ceiling & wall mounts



Maximum Load Limit:

20 Lbs. (9.1 Kg.)

Product Weight:

4.8 Lbs. (2.2 Kg.)

Shipping Weight:

10.6 Lbs. (5.3 Kg.) (2 per Box)

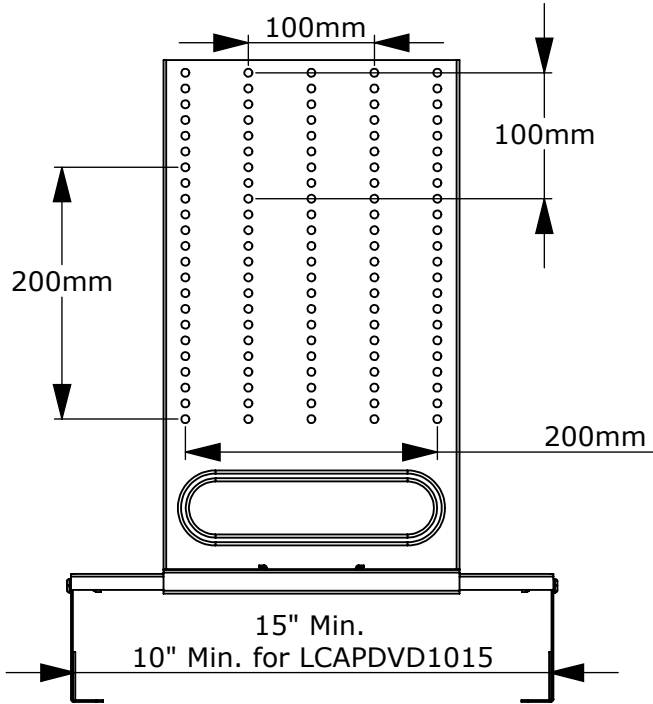
Carton Dimensions:

21"L x 15-1/2"W x 4"H

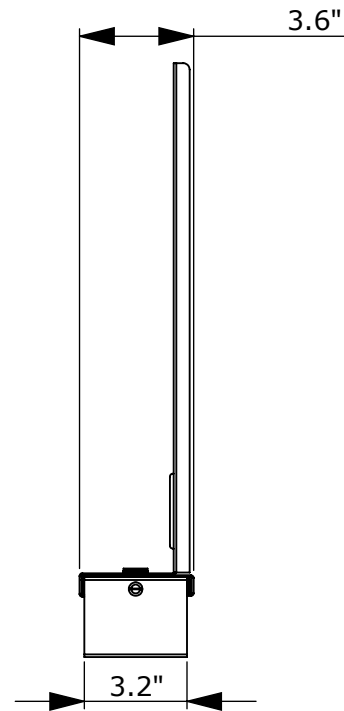
Architectural Specification: The equipment adapter to hang below the Lucasey model LC100 or LC200 ceiling or wall mount shall be Lucasey model LCAPDVD2, for equipment 15" to 20" wide up to 1-3/4" tall, LCAPDVD3, for equipment 15" to 20" wide up to 3-1/4" tall, LCAPDVD4, for equipment 15" to 20" wide up to 4" tall or LCAPDVD1015 for equipment 10" to 15" wide up to 1-3/4" tall. The adapter shall be located where indicated on the plans. Assembly and installation shall be done according to instructions provided by the manufacturer.



Front View



Side View



Top View

