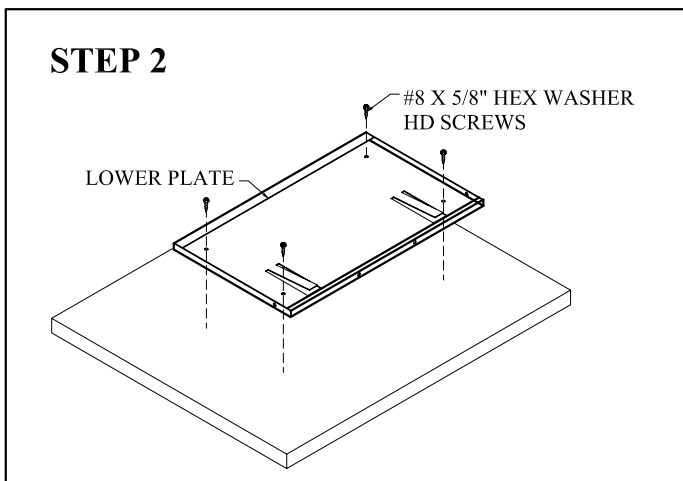
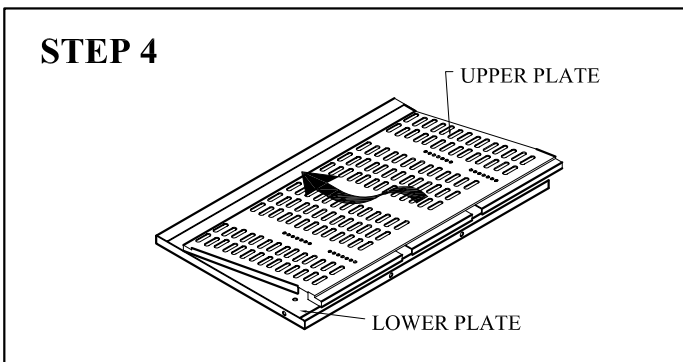


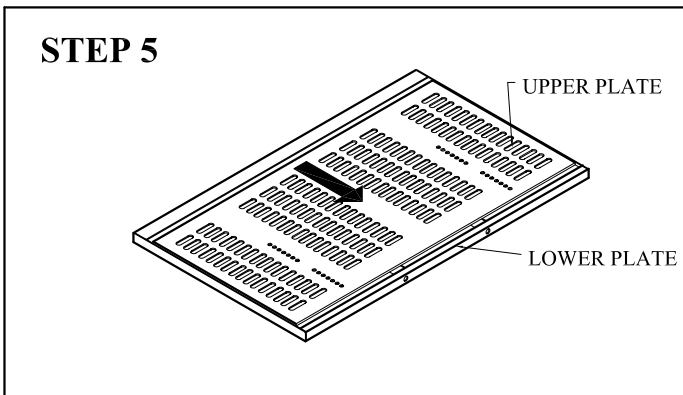
**STEP 2**



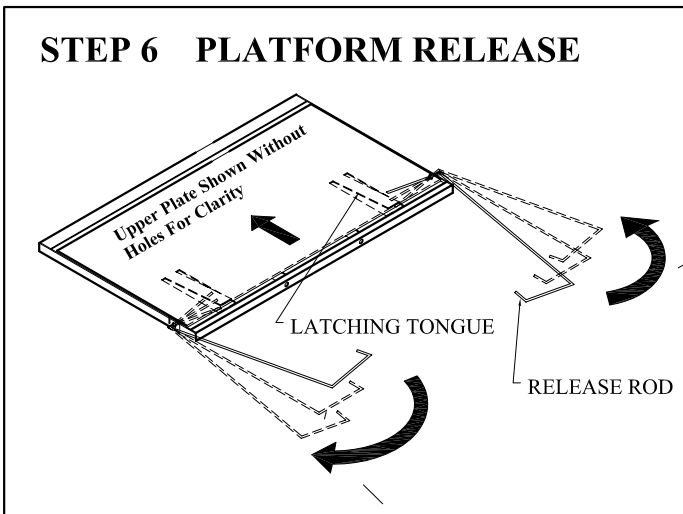
**STEP 4**



**STEP 5**



**STEP 6 PLATFORM RELEASE**



T#1695

T#1686

**DVD1512 & DVD1709**

**LOW PROFILE  
DVD BOLT DOWN**

1. Pre assemble platforms and become familiar with release mechanism operation before actual installation. See step #4-6 for details.
2. Attach bottom plate to furniture with four #8 x 5/8" hex washer head tapping screws.
3. Invert DVD player. Review FC4 kit instructions and attach rubber connector kit now.
4. Turn DVD right side up. Slip upper plate (with attached player) into lower plate, and under the lip at back of lower plate.
5. Pull forward on DVD and upper plate until you hear a click. Try to slide player back and up to verify that plates are locked and secure.
6. To release platform, insert release rods into side holes so that rod is on top of tongue, slide release rod to the right to depress tongue, leave rod in position. Repeat with other side of plate. With tongues depressed push platform to rear and up to remove.

