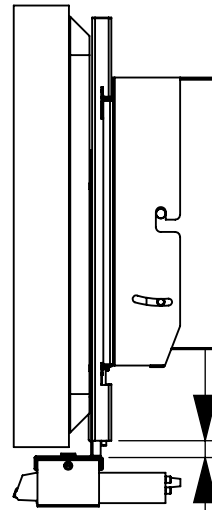
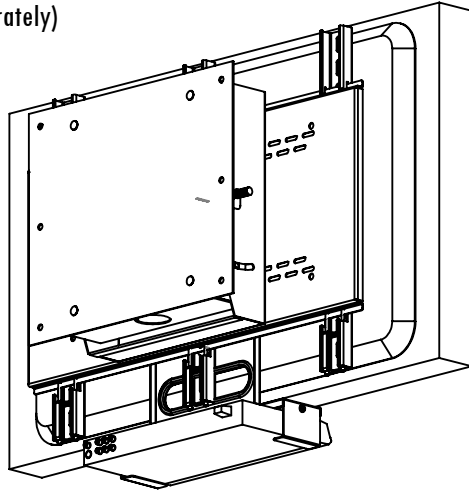


CKFSULCAP - Conversion Kit from FSU Adapters to LCAPDVD

Fits FSUL2720 and FSUL3520 mounts. Different rail can be substituted for FSUL2014 or FSUP adapters

Monitor, DVD, LCAPDVD, FSUL & FSWT
(Sold Separately)



Distance from FSUL Rail to Top of LCAPDVD Mount

Follow the FSU Installation Instructions for attaching the monitor to the FSU Adapter Plate. When attaching FSU Rails to the monitor add an additional washer between the monitor and FSU Rail to allow for the added thickness of the LCAPDVD mount.

Determine the distance from the top of the LCAPDVD mount to the bottom of the FSU Rail with the Monitor mounted.

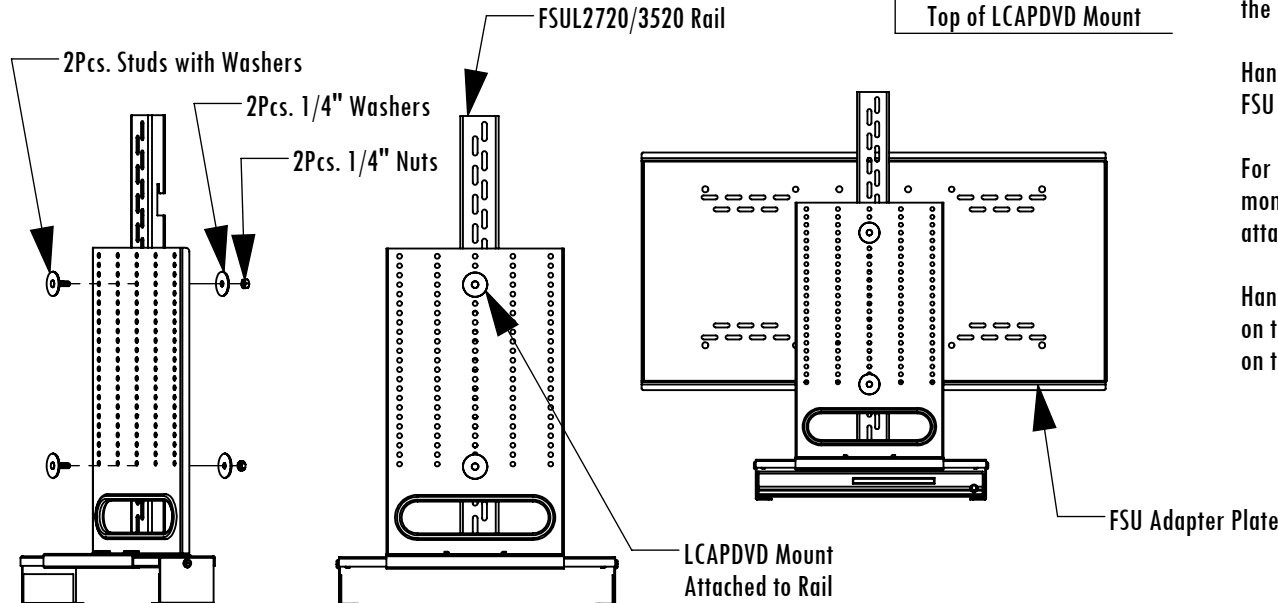
Attach the FSUL2720/3520 rail provided with the CKFSULCAP conversion kit to the center of the LCAPDVD mount with the provided studs, washers & nuts. Use pliers to hold onto the flat washer while tightening the nuts.

Follow the LCAPDVD installation instructions for mounting the DVD or other equipment.

Hang the CKFSULCAP with attached LCAPDVD on the FSU Adapter Plate before replacing the monitor.

For monitors with 100mm x 100mm or 200mm x 200mm mounting patterns, use two FSU rails and attach monitor attaching screws through the LCAPDVD mount.

Hang the CKFSULCAP with attached LCAPDVD & Equipment on the FSU Adapter Plate and secure with the two setscrews on the FSUL2720/3520 Rail



Component List

- 1Pc. FSUL2720/3520 Rail
- 2Pcs. 1/4-20 x 1" Studs with Washers
- 2Pcs. 1/4" x 1-1/4" Fender Washers
- 2Pcs. 1/4-20 Hex Nuts